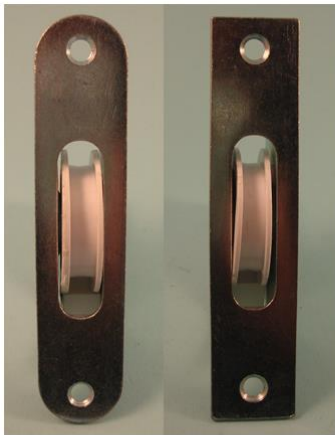
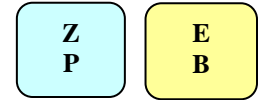


Sash Pulleys

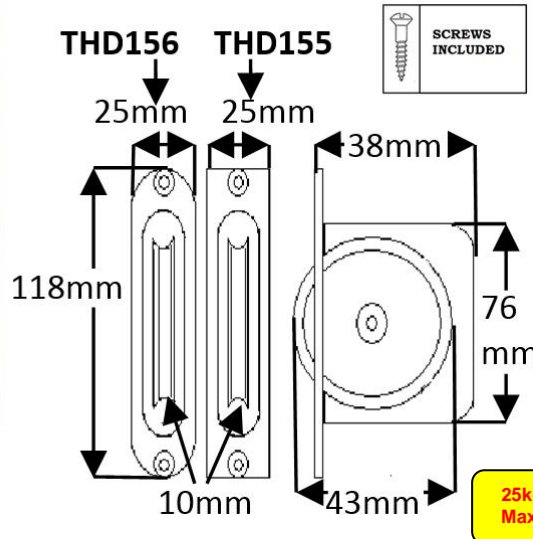
Traditional					
Hardware					
DIRECT					

THD155 Sash Pulley - Standard Case 1 3/4" Nylon Wheel and a Steel Square Faceplate (also available in a Radius Faceplate = THD156)

Finishes Available



THD156 & THD155



Specification

Material : Galvanised Steel case and faceplate.

Weight : 107 grams inc screws

Size of Plate : 118mm x 25mm

Depth of Product : 34mm

Sold as : Each

With Screws : 2 no. 1" x 8 Z.P. Steel Flat Head, Countersunk, Pozi, W/S

Inner Box Quantity : 10

Outer Box Quantity : 100

Part No.	Description	Finish
THD155 THD155/EB	Sash Pulley With Nylon Wheel, Square Steel Face Plate Sash Pulley With Nylon Wheel, Square Steel Face Plate	Zinc Plated Electro Brassed

NOTE : This product is made from Steel and manufactured from Steel Plate and a Nylon Wheel.

Traditional Hardware Direct will Guarantee the product against product failure due to manufacturing defects under normal usage for a period of 10 years from the date of purchase (for further information see our website).

When cleaning the product, use a cloth soaked in warm soapy water and dry off using clean dry cloth - Do not use any chemical cleaners as this will harm the product and will break down the lacquer and tarnish the product.

Due to the nature of the manufacturing process, a tolerance of + / - 5 % must be allowed on the weight and dimensions given on this product

For further information Call Sales on 01254 7739465 or visit our website : www.traditionalhardwaredirect.com