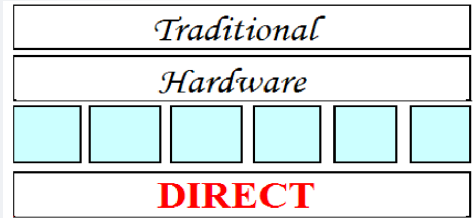


Simplex System



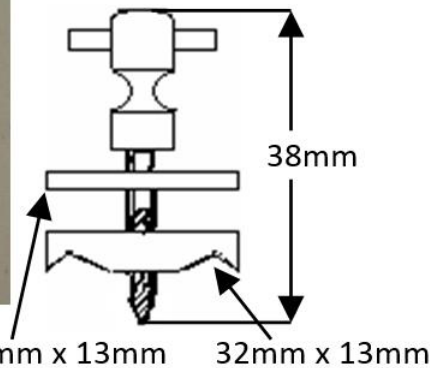
Where Quality Counts

THD199 Baton Rod Screw Standard – 38mm

Finishes Available



THD199



Specification

Material : Cast Brass
 Weight : 28 grams inc screws
 Size of Plate : 34mm x 14mm
 Height of Product : 38mm
 Sold as : Each
 With Screws : 4 no. 3/4" x 4 E.B.
 Steel Raised Countersunk
 Slotted W/S
 Inner Box Quantity : 25
 Outer Box Quantity : 250

Part No.	Description	Finish
THD199/PB	Baton Rod Screw – Standard – 38mm	Polished Brass
THD199/CP	Baton Rod Screw – Standard – 38mm	Chrome Plated
THD199/SCP	Baton Rod Screw – Standard – 38mm	Satin Chrome Plated
THD199/SNP	Baton Rod Screw – Standard – 38mm	Satin Nickel Plated
THD199/AB	Baton Rod Screw – Standard – 38mm	Antique Brass
THD199/AN	Baton Rod Screw – Standard – 38mm	Antique Nickel
THD199/BRO	Baton Rod Screw – Standard – 38mm	Bronze
THD199/BLP	Baton Rod Screw – Standard – 38mm	Black Polished

NOTE : This product is made from Cast Brass and manufactured using the Traditional Sand Cast method.

The items requiring a Lacquer protection are protected using the Electrophoretically Lacquered process giving a very attractive long-lasting product.

Traditional Hardware Direct will Guarantee the product against product failure due to manufacturing defects under normal usage for a period of 10 years from the date of purchase (for further information see our website).

When cleaning the product, use a cloth soaked in warm soapy water and dry off using clean dry cloth – Do not use any chemical cleaners as this will harm the product and will break down the lacquer and tarnish the product.

Due to the nature of the manufacturing process, a tolerance of + / - 5 % must be allowed on the weight and dimensions given on this product

For further information Call Sales on 01254 7739465 or visit our website : www.traditionalhardwaredirect.com