

Sash Lifts & Eyes

Traditional

Hardware

DIRECT

Quality Products

THD205 Ring Sash Lift - Standard

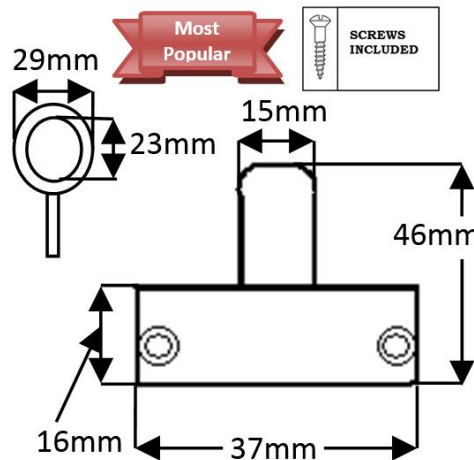
Finishes Available



Specification



THD205



Material : Cast Brass
 Weight : 46 grams inc screws
 Size of Plate : 37mm x 16mm
 Height of Product : 30mm
 Sold as : Each
 With Screws : 2 no. 3/4" x 4 E.B. Steel Raised Countersunk Slotted W/S
 Inner Box Quantity : 25
 Outer Box Quantity : 250

Part No.

THD205/PB
 THD205/CP
 THD205/SCP
 THD205/SNP
 THD205/AB
 THD205/AC
 THD205/AN
 THD205/BRO
 THD205/BLP

Description

Ring Sash Lift - Standard
 Ring Sash Lift - Standard
 Ring Sash Lift - Standard
 Ring Sash Lift - Standard
 Ring Sash Lift - Standard
 Ring Sash Lift - Standard
 Ring Sash Lift - Standard
 Ring Sash Lift - Standard
 Ring Sash Lift - Standard

Finish

Polished Brass
 Chrome Plated
 Satin Chrome Plated
 Satin Nickel Plated
 Antique Brass
 Antique Copper
 Antique Nickel
 Bronze
 Black Polished

NOTE : This product is made from Cast Brass and manufactured using the Traditional Sand Cast method. The items requiring a Lacquer protection are protected using the Electrophoretically Lacquered process giving a very attractive long-lasting product.

Traditional Hardware Direct will Guarantee the product against product failure due to manufacturing defects under normal usage for a period of 10 years from the date of purchase (for further information see our website).

When cleaning the product, use a cloth soaked in warm soapy water and dry off using clean dry cloth - Do not use any chemical cleaners as this will harm the product and will break down the lacquer and tarnish the product.

Due to the nature of the manufacturing process, a tolerance of + / - 5 % must be allowed on the weight and dimensions given on this product

For further information Call Sales on 01254 7739465 or visit our website : www.traditionalhardwaredirect.com