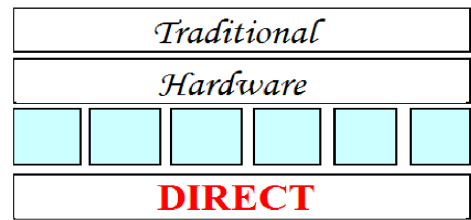


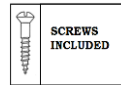
Sash Fasteners



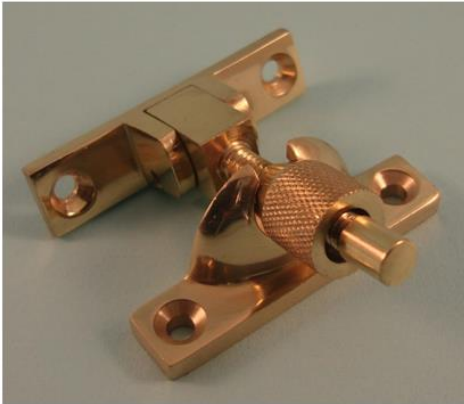
Fasteners for Optimum Performance

THD185 Brighton Fastener - Small Non Locking

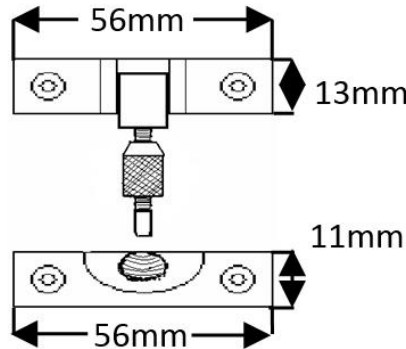
Finishes Available



Specification



THD185



Material : Cast Brass
 Weight : 107 grams inc screws
 Size of Plate : 56mm x 13mm
 Height of Product : 63mm
 Sold as : Each
 With Screws : 4 Number 25mm x 8
 EB, Flat Head, Slotted,
 Countersunk, Steel Wood Screws
 Inner Box Quantity : 10
 Outer Box Quantity : 100

Part No.	Description	Finish
THD185/PB	Brighton Fastener – Small – Non Locking	Polished Brass
THD185/CP	Brighton Fastener – Small – Non Locking	Chrome Plated
THD185/SCP	Brighton Fastener – Small – Non Locking	Satin Chrome Plated
THD185/SNP	Brighton Fastener – Small – Non Locking	Satin Nickel Plated
THD185/AB	Brighton Fastener – Small – Non Locking	Antique Brass
THD185/AC	Brighton Fastener – Small – Non Locking	Antique Copper
THD185/AN	Brighton Fastener – Small – Non Locking	Antique Nickel
THD185/BRO	Brighton Fastener – Small – Non Locking	Bronze
THD185/BLP	Brighton Fastener – Small – Non Locking	Black Polished

NOTE : This product is made from Cast Brass and manufactured using the Traditional Sand Cast method.
 The items requiring a Lacquer protection are protected using the Electrophoretically Lacquered process giving a very attractive long-lasting product.
 Traditional Hardware Direct will Guarantee the product against product failure due to manufacturing defects under normal usage for a period of 10 years from the date of purchase (for further information see our website).
 When cleaning the product, use a cloth soaked in warm soapy water and dry off using clean dry cloth – Do not use any chemical cleaners as this will harm the product and will break down the lacquer and tarnish the product.
 Due to the nature of the manufacturing process, a tolerance of + / - 5 % must be allowed on the weight and dimensions given on this product

For further information Call Sales on 01254 7739465 or visit our website : www.traditionalhardwaredirect.com