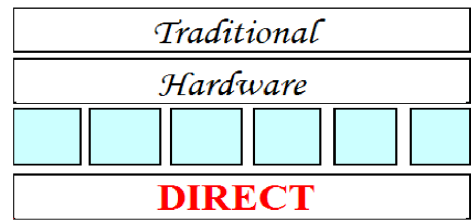


# Casement Stays & Fasteners



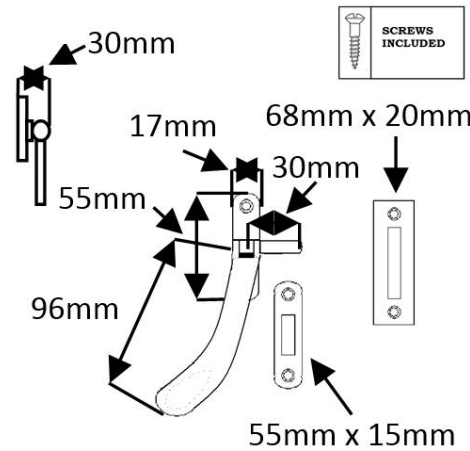
## Hand Crafted Products

### THD179 Victorian Casement Fastener With Hook & Mortice Plate

#### Finishes Available



THD179



### Specification

Material : Cast Brass  
 Weight : 177 grams inc screws & plates  
 Size of Fastener : 100mm  
 Height of Product : 30mm  
 Sold as : Each  
 With Screws : 6 no. 3/4" x 4 E.B. Steel Raised Countersunk Slotted Wood Screws  
 Inner Box Quantity : 10  
 Outer Box Quantity : 50

Part No.	Description	Finish
THD179/PB	Vic Casement Fastener with a Hook & Mortice Plate	Polished Brass
THD179/CP	Vic Casement Fastener with a Hook & Mortice Plate	Chrome Plated
THD179/SCP	Vic Casement Fastener with a Hook & Mortice Plate	Satin Chrome Plated
THD179/SNP	Vic Casement Fastener with a Hook & Mortice Plate	Satin Nickel Plated
THD179/AB	Vic Casement Fastener with a Hook & Mortice Plate	Antique Brass
THD179/AC	Vic Casement Fastener with a Hook & Mortice Plate	Antique Copper

NOTE : This product is made from Cast Brass and manufactured using the Traditional Sand Cast method. The items requiring a Lacquer protection are protected using the Electrophoretically Lacquered process giving a very attractive long-lasting product.

Traditional Hardware Direct will Guarantee the product against product failure due to manufacturing defects under normal usage for a period of 10 years from the date of purchase (for further information see our website).

When cleaning the product, use a cloth soaked in warm soapy water and dry off using clean dry cloth – Do not use any chemical cleaners as this will harm the product and will break down the lacquer and tarnish the product.

Due to the nature of the manufacturing process, a tolerance of + / - 5 % must be allowed on the weight and dimensions given on this product

**For further information Call Sales on 01254 7739465 or visit our website : [www.traditionalhardwaredirect.com](http://www.traditionalhardwaredirect.com)**