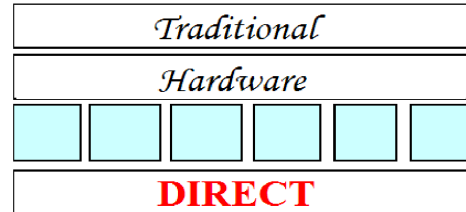
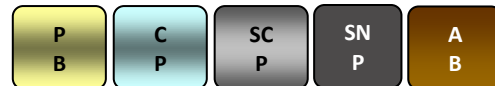


Fanlight Accessories



THD236 Fanlight Catch Heavy Duty

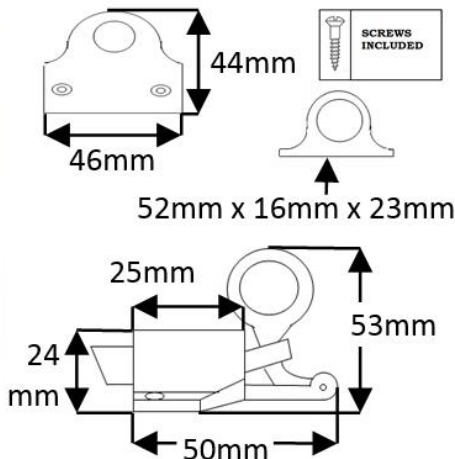
Finishes Available



Specification



THD236



Material : Cast Brass
 Weight : 230 grams inc screws
 Size of the Catch : 56mm x 50mm
 Height of Product : 52mm
 Sold as : Each
 With Screws : 6 no. 3/4" x 4 E.B.
 Steel Raised Countersunk
 Slotted W/S
 Inner Box Quantity : 5
 Outer Box Quantity : 50

Part No.

THD236/PB
 THD236/CP
 THD236/SCP
 THD236/SNP
 THD236/AB

Description

Fan Light Catch – Heavy Duty
 Fan Light Catch – Heavy Duty
 Fan Light Catch – Heavy Duty
 Fan Light Catch – Heavy Duty
 Fan Light Catch – Heavy Duty

Finish

Polished Brass
 Chrome Plated
 Satin Chrome Plated
 Satin Nickel Plated
 Antique Brass

NOTE : This product is made from Cast Brass and manufactured using the Traditional Sand Cast method.

The items requiring a Lacquer protection are protected using the Electrophoretically Lacquered process giving a very attractive long-lasting product.

Traditional Hardware Direct will Guarantee the product against product failure due to manufacturing defects under normal usage for a period of 10 years from the date of purchase (for further information see our website).

When cleaning the product, use a cloth soaked in warm soapy water and dry off using a clean dry cloth – Do not use any chemical cleaners as this will harm the product and will break down the lacquer and tarnish the product.

Due to the nature of the manufacturing process, a tolerance of + / - 5 % must be allowed on the weight and dimensions given on this product

For further information Call Sales on 01254 773945 or visit our website : www.traditionalhardwaredirect.com