

iDeal Friction Hinge



PRODUCT INFORMATION



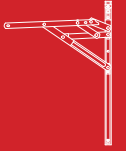
- Manufactured from high grade Ferritic (430) stainless steel
- Available in both top hung and side hung applications
- Stack heights - 13mm, 17mm
- Top hung sizes - 8", 10", 12", 16", 20" and 24"
- Top hung recommended maximum sash weight - 50 kg
- Side hung sizes - 12", 16"
- Side hung recommended maximum sash weight - 22 kg
- Operational reliability - cycle tested to 20,000 cycles
- Weather resistance - tested to BSEN 1670 Grade 4, achieving 240 hours salt spray
- Police Preferred Specification - Secured by Design accredited used in conjunction with iDeal casement hinge protector. See page 353.

GUARANTEES

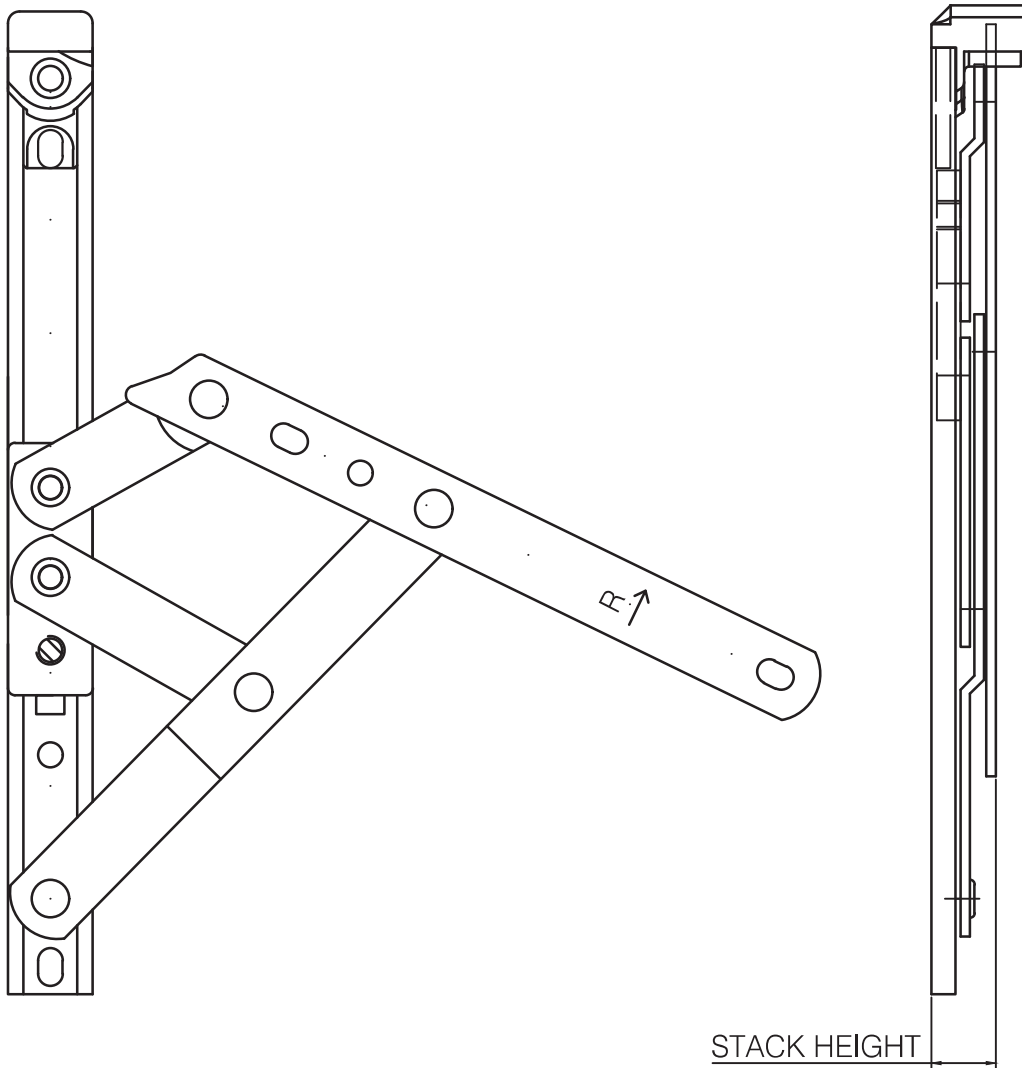


iDeal Friction Hinge

Friction
Hinges



TECHNICAL DRAWINGS



PART NUMBERS

Description	Size (")	Opening (°)	Width (mm)	Height (mm)	Weight (kg)	13mm Stack Height	17mm Stack Height
Top Hung	8	64	1300	300	10	022608	022648
Top Hung	10	86	1300	450	16	022610	022650
Top Hung	12	87	1300	600	21	022612	022652
Top Hung	16	84	1300	700	22	022616	022656
Top Hung	20	42	1300	900	24	022620	022660
Top Hung	24	38	1300	1500	50	022624	022664
Side Hung	12	87	600	1300	16	022632	022672
Side Hung	16	84	700	1300	22	022636	022676