

SLIDE ARM DOOR CLOSERS

TS.11204



SLIDE ARM DOOR CLOSERS

TS.11204

Being renowned for its high efficiency and ease of opening with a cam action mechanism, the TS.11204 is a Certifire approved door closer for both push and pull side applications. This surface fixed slide arm door closer has a slimline projection of only 39mm, and is power adjustable by spring, power size 2-4.

- Universal fitting – can be fitted in pull-side, push-side or transom fitting position
- Option of Square (Satin Nickel only) or Semi-Radius cover
- Available in Silver, Satin Nickel, Polished Nickel, Polished Brass, Black & Antique Brass for next day delivery



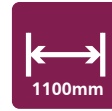
3rd Party Certification



Opening Angle 110°



Two-Stage Speed Regulation



Max Door Width 1100mm



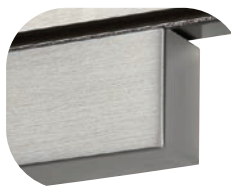
Max Door Weight 80Kg



Guarantee



Assists BS8300



Square Cover (SQ)



Semi Radius Cover (SR)

Product Features	TS.11204
Delayed Action	-
Back Check (Cushion stop available)	-
Opening Angle	110°
Fig.1 Pull Side Door Width	575-1100mm
Fig.66 Push Side Door Width	575-1100mm
Fig.1 BS8300 Min Door Width	857mm
Max Door Weight	<80kg
Power Adjustment	By Spring
Hold Open (not for fire doors)	-
Dimensions (including cover)	W253 x H61 x D39mm

Certification Compliance	
Certifire	✓
UKCA	✓
CE	✓
BS EN 1154	✓
BS EN 1634	✓
UL10C	-
UL228	✓
ANSI BHMA	-
IFCC	✓
EPD 3.09E+01 kg CO ₂ eq	✓

Key: ✓ Yes - No ◦ Option

Finishes

See page 98 for more detail



SE Silver



SNP Satin Nickel



PNP Polished Nickel



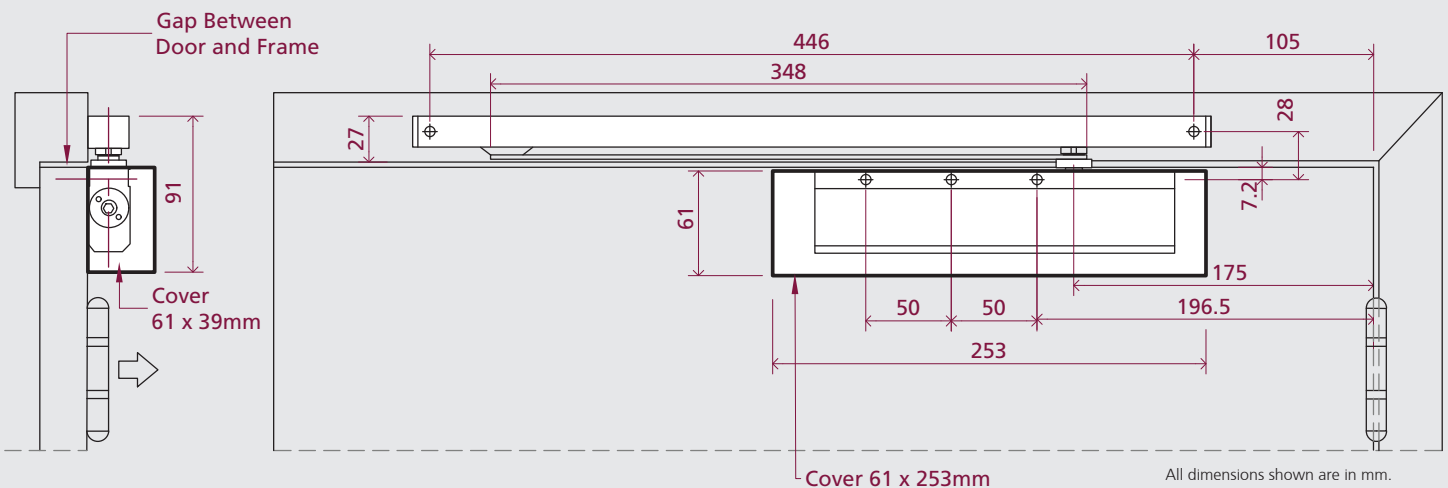
PVD Polished Brass



AB Antique Brass



BK Black



For fitting instructions see website