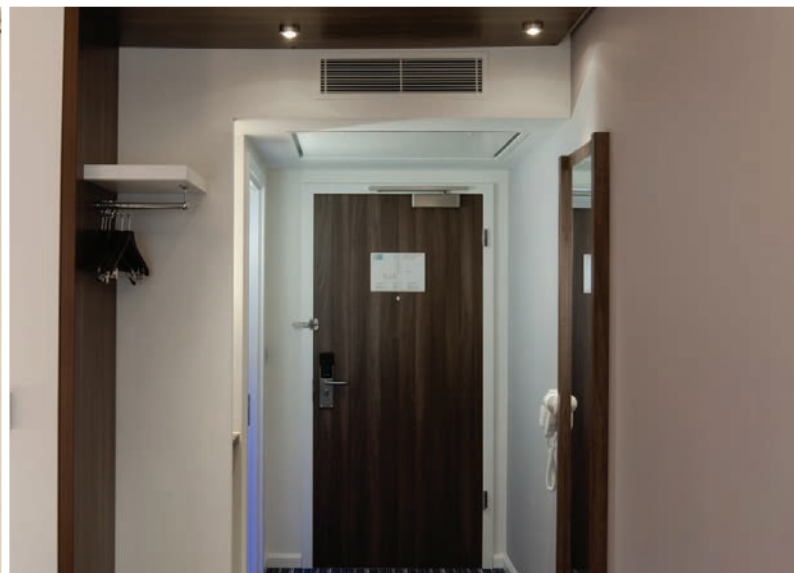


SLIDE ARM DOOR CLOSERS

TS.11205



SLIDE ARM DOOR CLOSERS

TS.11205

The Rutland Certifire approved TS.11205 Cam Action door closer gets the perfect balance between ease of opening for the less able whilst having enough power to close doors up to 1250mm wide and 110kg, making it ideal for contracts where requirements include meeting Doc M and BS8300 (or formerly DDA).

- Available with optional back check and delayed action
- Power Adjustable by spring, size 2-5
- Available in Silver, Satin Nickel, Polished Nickel, Polished Brass & Black for next day delivery



3rd Party Certification



Opening Angle 120°



Two-Stage Speed Regulation



Max Door Width 1250mm



Max Door Weight 110Kg



Guarantee 35 YEARS



Assists BS8300



Finishes

See page 98 for more detail



SE Silver



SNP Satin Nickel



PNP Polished Nickel



PVD Polished Brass



BK Black

Product Features

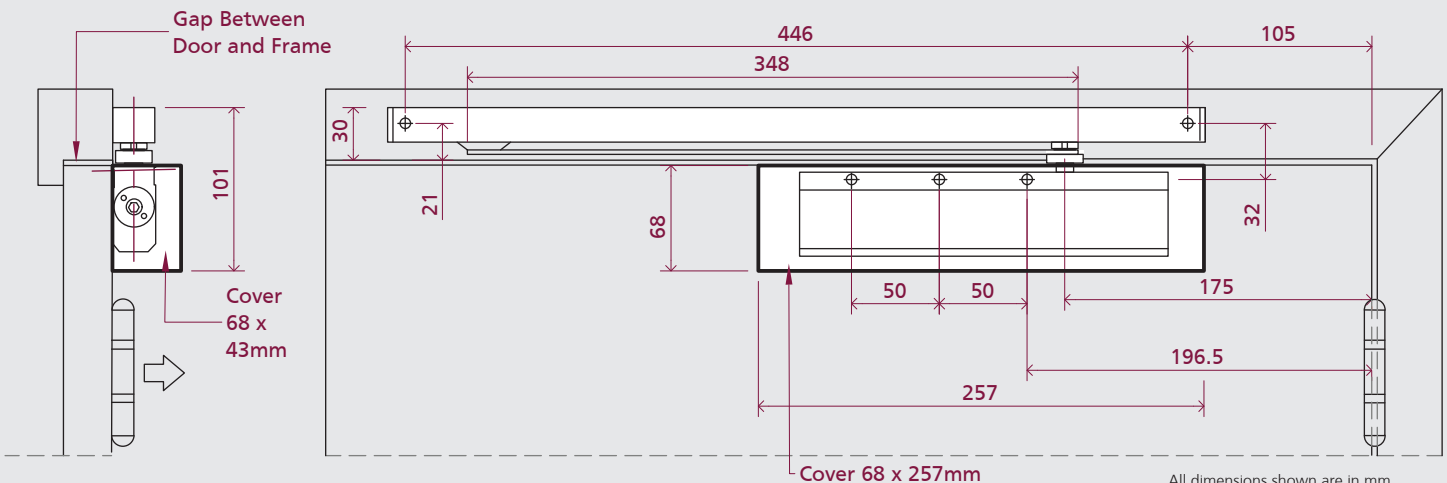
TS.11205

Opening Angle	120°
Fig.1 Pull Side Door Width	575-1250mm
Fig.66 Push Side Door Width	575-1250mm
Fig.1 BS8300 Min Door Width	EN3-757mm, EN4-743mm
Max Door Weight	<110kg
Power Adjustment	By Spring
Hold Open (not for fire doors)	o
Dimensions (including cover)	W257 x H68 x D43mm

Certification Compliance

Certifire	✓
UKCA	✓
CE	✓
BS EN 1154	✓
BS EN 1634	✓
UL10C	-
UL228	✓
ANSI BHMA	-
IFCC	✓
EPD 3.09E+01 kg CO ₂ eq	✓

Key: ✓ Yes - No o Option



All dimensions shown are in mm.

For fitting instructions see website