



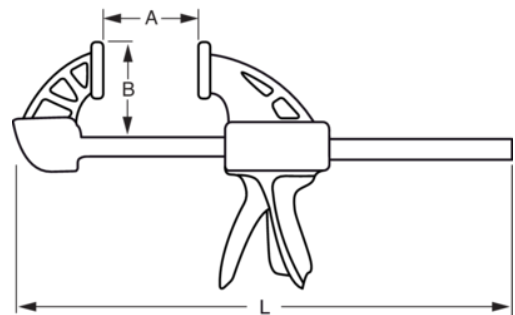
QC

**High Resistance Quick Clamps
with 70 kg Maximum Force**



PRODUCT DETAILS


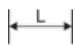

- High-resistance clamps with QR system
- Clamping capacity up to 80 kg
- Keeps maximum clamping force for at least an hour
- Reversible jaw mechanism
- Superior quick clamp



Follow the Fish!



PRODUCT ATTRIBUTES

Product			A	B	
QC-115A	1	230 mm	115 mm	35 mm	90 g
QC-115A-2P	2	230 mm	115 mm		200 g
QC-150A	1	305 mm	150 mm	50 mm	285 g
QC-150A-2P	2	305 mm	150 mm		600 g
QC-300A	1	475 mm	300 mm	64 mm	490 g
QC-300A-2P	2	475 mm	300 mm		1000 g

